

Stryker

Cleaning and Extraction Wand

User Instructions

The Stryker wand is designed to clean all types of carpet surfaces, including cut pile, commercial, berber, etc. The unit provides deep, rapid penetration of cleaning solution and simultaneous high volume extraction.

Patent Pending

READ AND SAVE THESE INSTRUCTIONS

DESCRIPTION

The Stryker uses a specially designed injection/extraction manifold that injects high volumes of water while allowing for continuous bi-directional cleaning. The unit may be used with a commercial quality portable extractor, a truckmount carpet cleaning machine, or with a truckmount extraction system.

Key features

- Ergonomic rotomolded polyethylene handle provides comfortable, balanced handling and substantially reduces operator fatigue
- Stainless steel extraction tube for rugged service
- In-line solution strainer helps prevent clogging.
- Rotomolded cleaning head resists dents and scratches and doesn't readily gouge molding or furniture
- High pressure injector nozzle has 95 injection ports to provide deep, even penetration of solution into the carpet surface
- Unique dual extraction slots permit full extraction in both directions across carpet surface
- Purge valve for easy injector nozzle cleaning

SETTING UP THE STRYKER

1. Attach solution line to coupling under handle (see Fig. A).
2. Attach a 2 in. i.d. extractor hose to the Stryker (see Fig. A). Use an adaptor (purchased separately) for 1½ in. i.d. hoses.
3. Attach the solution line and the vacuum hose to your extractor unit.

The Stryker is now ready for use. Use the solution control valve (Fig. A) to adjust flow of solution as needed.

Using the Stryker

1. Place the Stryker in position on the carpet.

2. Start the extractor blower and solution pump.
3. Open the solution control valve by turning counterclockwise. A 90° turn – orienting the valve handle in line with the extraction tube – opens the valve fully.
4. Begin cleaning. The unit extracts dissolved carpet soils in both directions (push and pull).
5. Clean in small sections at a time, starting in a corner and move along a wall then work inward toward the center of the room.

For more information about carpet cleaning, visit www.sapphirescientific.com.

MAINTENANCE

Clean the inline strainer (Fig. A) when solution flow is visibly reduced. To clean the filter, loosen the strainer assembly nut, and remove the strainer and strainer washer (Fig. B). Rinse these items in clean water and reassemble the strainer. Take care not to over-tighten.

Regularly **check the glide assembly** for steady, even flow of solution through the injector nozzles. If any of the injector ports appear clogged, loosen the purge valve two full turns (see Fig. A), and open the solution control valve fully for 15–20 seconds. After the injector nozzles have been cleared, retighten the purge valve (do not over-tighten). If the injector manifold is scratched, gouged, snags on carpets, or flows excessively, it may need to be replaced (see Fig D). Replacement glide assemblies are available from your distributor.

To maintain appearance, wipe exterior surfaces with a damp cloth. For lasting shine and protection on the rotomolded surfaces, use Dri-Eaz MicroGuard Cleaner and MicroGuard Protectant, available from a Dri-Eaz distributor.

PARTS IDENTIFICATION

FIG. A: HANDLE DETAIL

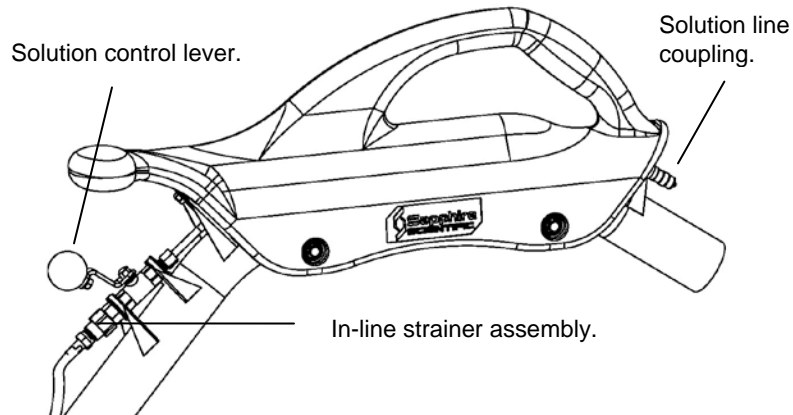


FIG. B: IN-LINE STRAINER ASSEMBLY

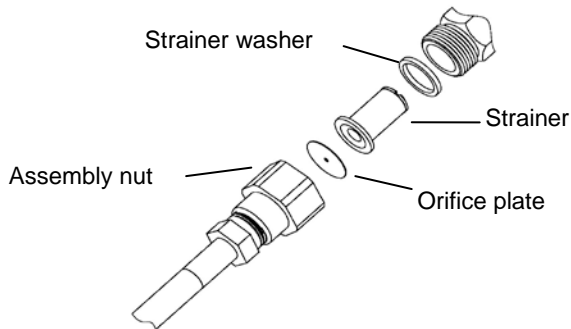


FIG. C: EXTRACTION HEAD (Bottom view)

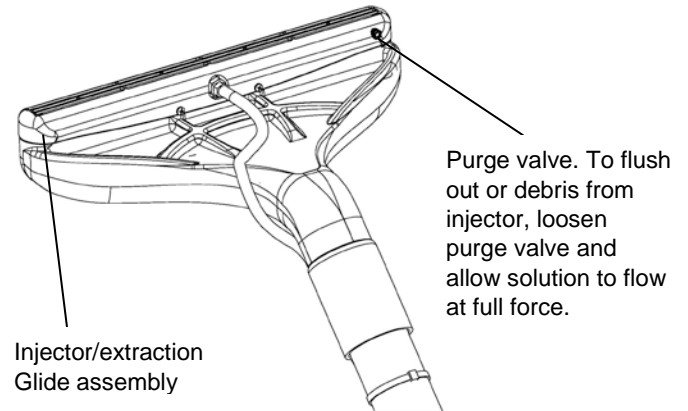
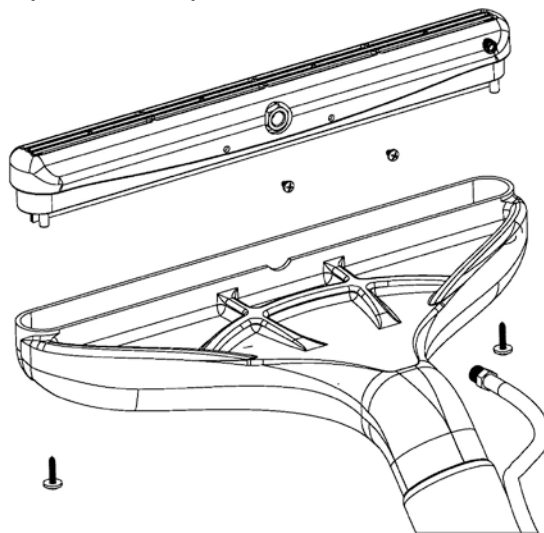


FIG. D: REPLACING THE GLIDE ASSEMBLY (bottom view)



STEP 1: Remove four screws and detach solution line from glide assembly.

STEP 2: Remove glide assembly from extractor head.

STEP 3: Reinstall solution line into replacement manifold, insert manifold into head and reinsert screws.

WARRANTY

Warranty information is available from your dealer or at www.sapphirescientific.com.

Warranty registration

Visit www.SapphireScientific.com to register your purchase. Registration allows us to better assist you with using, maintaining or servicing your equipment, as well as to contact you in case we have important safety information concerning your Sapphire Scientific product. If you determine service is required, have your equipment model, serial number and original proof of purchase available and call your distributor for assistance with obtaining a return material authorization (RMA).

CONTACT

Sapphire Scientific
2604 Liberator • Prescott, AZ 86301
Sales: 800-932-3030 • Technical Support: 866-445-3030.

SPECIFICATIONS

Model	Sapphire Scientific Stryker Cleaning and Extraction Wand
Glide	14 in. wide with solution injector strip.
Handle and extraction head	Rotomolded polyethylene
Tube	Stainless steel
Control valve and fittings	Brass
<i>Specifications are subject to change without notice. Some values may be approximate.</i>	